



High Country Tek, Inc.

Proportional Valve Controller MVP-C

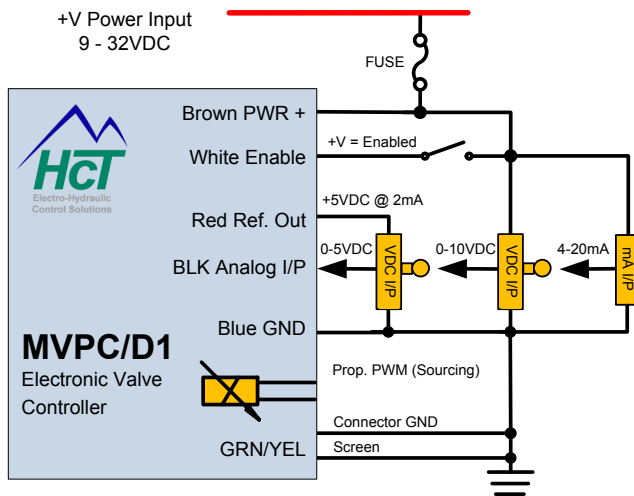
Electronic Controller Solutions for Mobile, Industrial & Marine Applications

Product Feature Overview

- Permanently sealed, standard DIN 43650 Form A connector body with pre-wired 18AWG PVC cable
- All input and output limits are independently adjustable
- Multiple modes for open loop, closed loop and inverted
- Single coil, programmable enable input
- Output short circuit protection and open circuit alert
- Diagnostic LED's with system "status" blink code indication
- PC based Graphical User Interface (GUI) for system configuration
- Infrared HCT Hand Held Interface for system configuration



Basic Connection Diagram

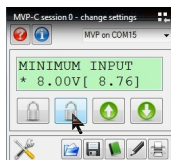


MVP-C Wiring	
Terminal	Function
Brown	+PWR
Blue	PWR GND
Black	Command Input
White	Enable Switch
Red	+5V Reference
GRN/YEL	Connector GND

Controller Specification Overview

	MVP-C (Standard)	MVP-Cxx-xxxxD1
Housing Type	HCT custom DIN enclosure	
Power Supp. Voltage	9 to 32VDC (<i>Absolute Maximum</i>)	
Current Consumption	Load current + 20mA Quiescent (<i>Max</i>)	
Analog Input Range	-C1V: 0 to 10V; -C2A: 4 to 20mA	
Outputs	06A: 600mA max 12A: 1.2A max 25A: 2.5A max	06A: 600mA max 25A: 2.5A max
PWM Dither Freq. (Standard)	30, 33, 38, 43, 50, 60, 75, 100, 150, 300Hz (Select OFF for 1000Hz)	80, 100, 120, 140, 160, 180, 200, 220, 240, 260, 280, 300Hz (Select OFF for 1000Hz)
Module Connector	DIN 43650 Form A connector body	
Communication	Infrared Communication	
Housing Material	33% glass reinforced, heat stabilized, black polyamide 66	
Temperature Range	-40 to +85°C (<i>Operational</i>) -60 to +90°C (<i>Storage</i>)	
NEMA/IP Rating	NEMA 4 / IP67	

Accessories



Graphical User Interface

PC set-up software
Part #: CD-SAM

Comm. Cable

Infrared Hand Held Interface for Device
Part #: CBL-IRA

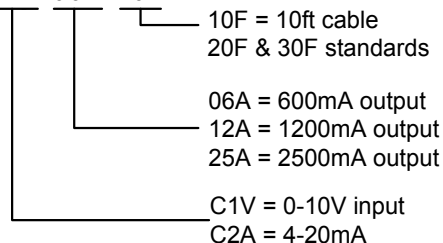
Comm. Cable

Infrared Hand Held Interface for PC
Part #: CBL-IRMU

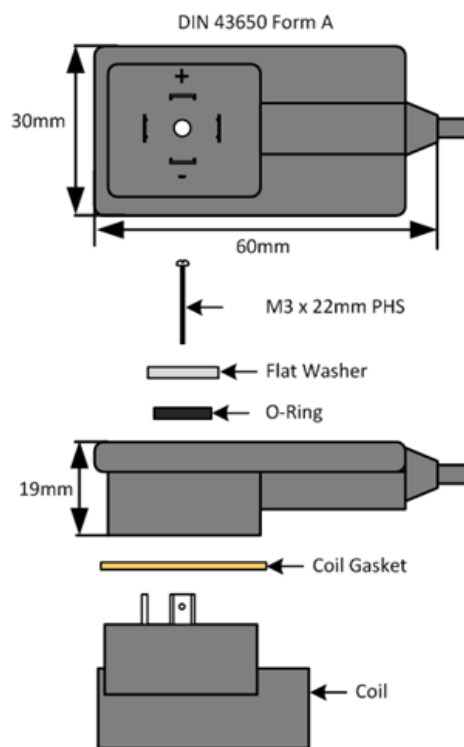
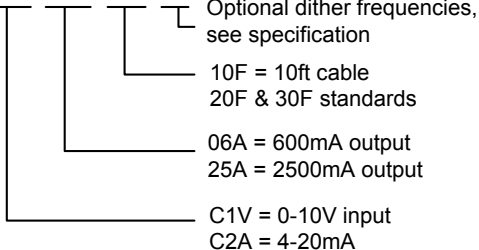
Order Information

Dimensions

MVP-C1V-06A-10F

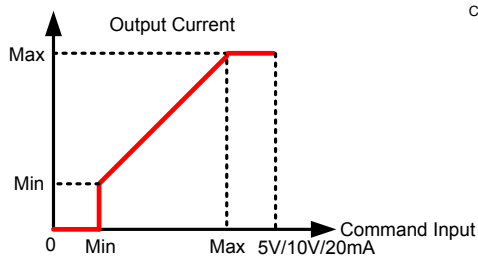


MVP-C1V-06A-10F-D1

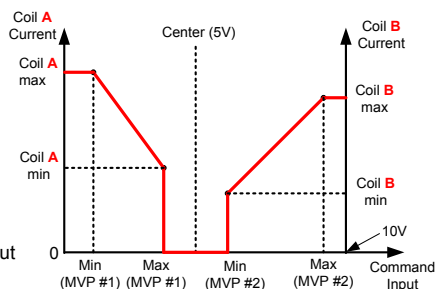


Application Examples

Single Valve Control



Dual Valve Control



NOTE: Dual valve control requires two MVP's

www.hctcontrols.com



High Country Tek, Inc.

208 Gold Flat Court
Nevada City, CA, 95959
Tel: (1) 530 265 3236
Fax: (1) 530 265 3275



High Country Tek, Inc.

Closed-loop Proportional Valve Controller MVP-F

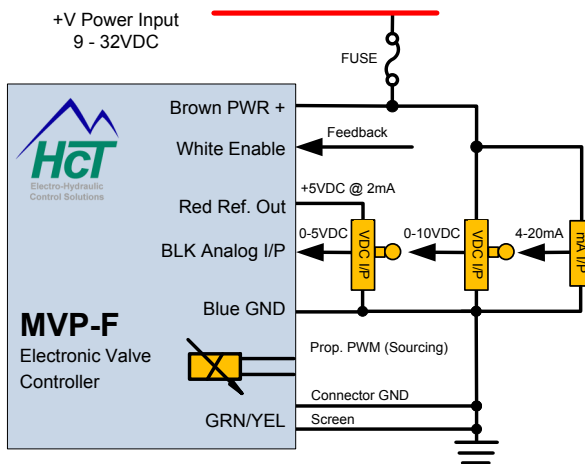
Electronic Controller Solutions for Mobile, Industrial & Marine Applications

Product Feature Overview

- Permanently sealed, standard DIN 43650 Form A connector body with pre-wired 18AWG PVC cable
- All input and output limits are independently adjustable
- Multiple modes for open loop, closed loop and inverted
- Single coil, programmable enable input
- Output short circuit protection and open circuit alert
- Diagnostic LED's with system "status" blink code indication
- PC based Graphical User Interface (GUI) for system configuration
- Infrared HCT Hand Held Interface for system configuration



Basic Connection Diagram

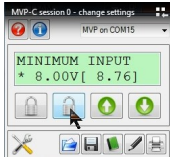


MVP-F Wiring	
Terminal	Function
Brown	+PWR
Blue	PWR GND
Black	Command Input
White	Feedback Input
Red	5V Reference
GRN/YEL	Connector GND

Controller Specification Overview

Housing Type	HCT custom DIN enclosure
Power Supp. Voltage	9 to 32VDC (<i>Absolute Maximum</i>)
Current Consumption	Load current + 20mA Quiescent (<i>Max</i>)
Command Inputs	0-10V or 4-20mA
Outputs	06A: 600mA max 12A: 1.2A max 25A: 2.5A max
PWM Dither Freq. (Standard)	Software selectable: 30, 50, 75, 100, 125, 150, 175, 200, 225, 250, 275, 300Hz, 1000Hz
Module Connector	DIN 43650 Form A connector body
Communication	Infrared Communication
Housing Material	33% glass reinforced, heat stabilized, black polyamide 66
Temperature Range	-40 to +85°C (<i>Operational</i>) -60 to +90°C (<i>Storage</i>)
NEMA/IP Rating	NEMA 4 / IP67

Accessories



Graphical User Interface

PC set-up software
Part #: CD-SAM



Comm. Cable

Infrared Hand Held Interface for Device
Part #: CBL-IRA



Comm. Cable

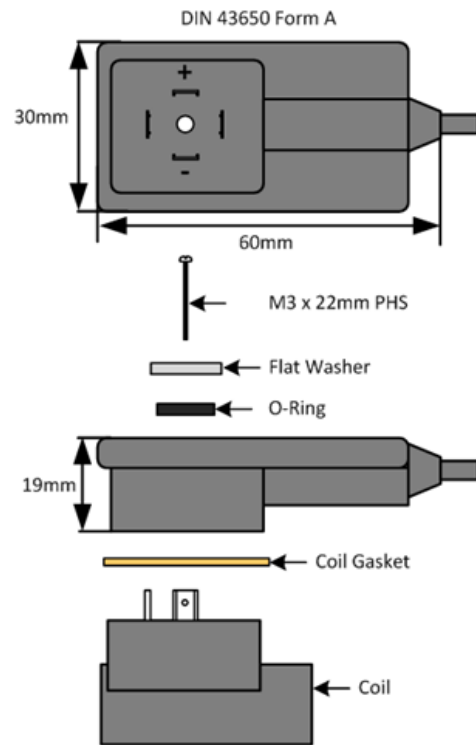
Infrared Hand Held Interface for PC
Part #: CBL-IRMU

Order Information

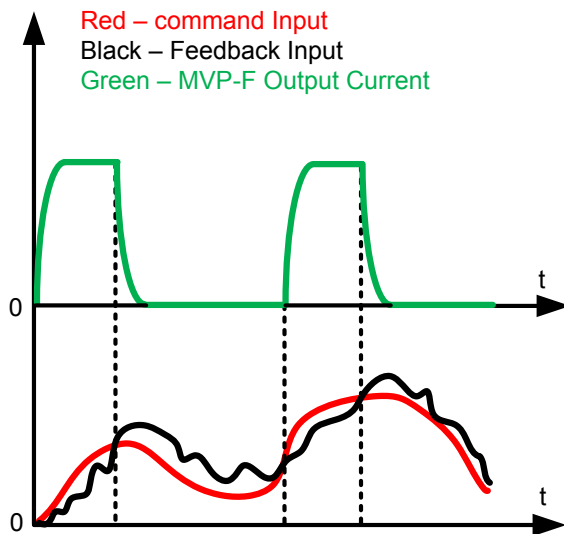
MVP-F1V-06A-10F

- 10F = 10ft cable
20F & 30F standards
- 06A = 600mA output
12A = 1200mA output
25A = 2500mA output
- F1V = 0-10V input
F2A = 4-20mA

Dimensions



Application Examples



www.hctcontrols.com

High Country Tek, Inc.

208 Gold Flat Court
Nevada City, CA, 95959
Tel: (1) 530 265 3236
Fax: (1) 530 265 3275



High Country Tek, Inc.

Proportional Valve Ramping Controller MVP-R

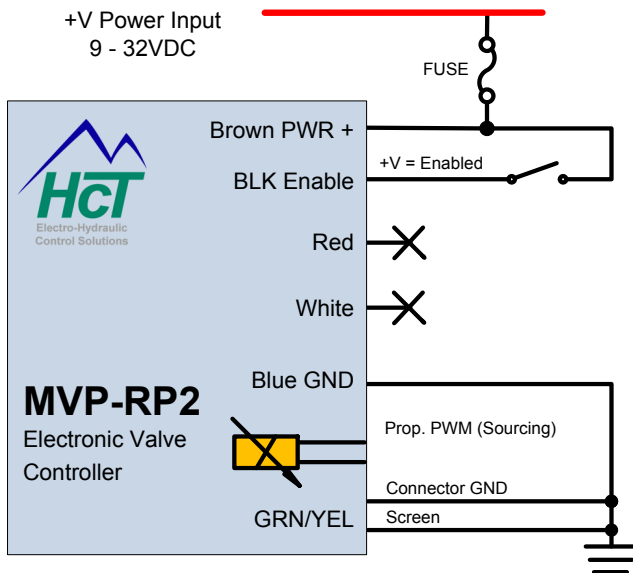
Electronic Controller Solutions for Mobile, Industrial & Marine Applications

Product Feature Overview

- Permanently sealed, standard DIN 43650 Form A connector body with pre-wired 18AWG PVC cable
- All input and output limits are independently adjustable
- Multiple modes for open loop, closed loop and inverted
- Single coil, programmable enable input
- Output short circuit protection and open circuit alert
- Diagnostic LED's with system "status" blink code indication
- PC based Graphical User Interface (GUI) for system configuration
- Infrared HCT Hand Held Interface for system configuration



Basic Connection Diagram

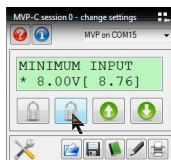


MVP-RP2 Wiring	
Terminal	Function
Brown	+PWR
Blue	PWR GND
Black	Enable Input
White	Not Used
Red	Not Used
GRN/YEL	Connector GND

Controller Specification Overview

Housing Type	HCT Custom DIN enclosure
Power Supp. Voltage	9 to 32VDC (<i>Absolute Maximum</i>)
Current Consumption	Load current + 20mA Quiescent (<i>Max</i>)
Command Inputs	0-10V or 4-20mA
Outputs	06A: 600mA max 12A: 1.2A max 25A: 2.5A max
PWM Dither Freq. (Standard)	Software selectable: 80, 100, 120, 140, 160, 180, 200, 220, 240, 260, 280, 300Hz, (select OFF for 1000Hz)
Ramp Functions	RP1: ramp up only RP2: ramp up and down
Module Connector	DIN 43650 Form A connector body
Communication	Infrared Communication
Housing Material	33% glass reinforced, heat stabilized, black polyamide 66
Temperature Range	-40 to +85°C (<i>Operational</i>) -60 to +90°C (<i>Storage</i>)
NEMA/IP Rating	NEMA 4 / IP67

Accessories



Graphical User Interface

PC set-up software
Part #: CD-SAM



Comm. Cable

Infrared Hand Held Interface for Device
Part #: CBL-IRA



Comm. Cable

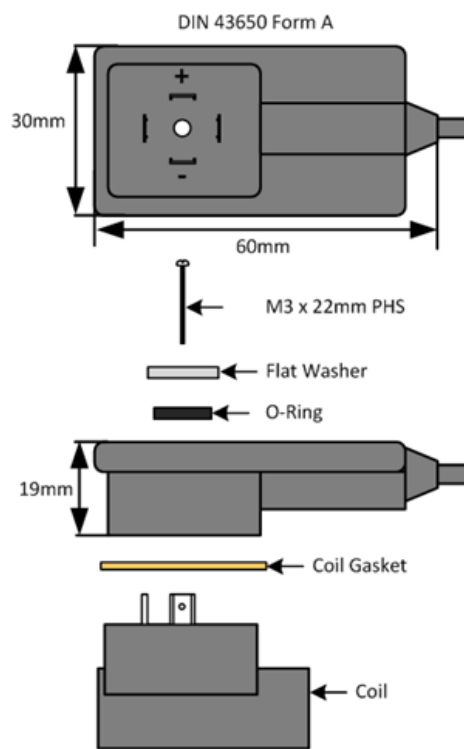
Infrared Hand Held Interface for PC
Part #: CBL-IRMU

Order Information

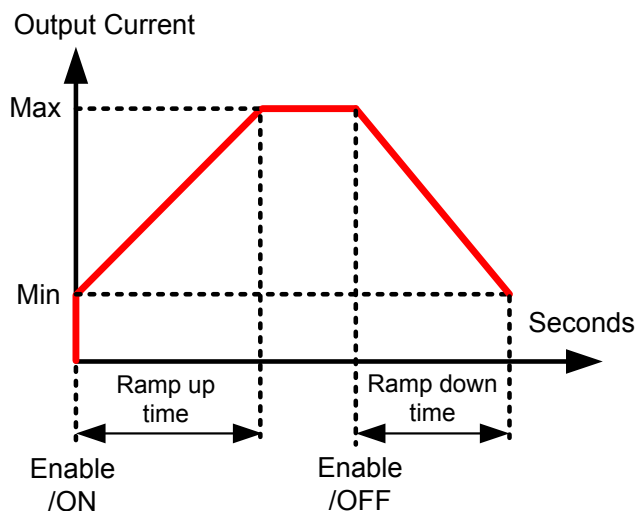
MVP-RP1-06A-10F

- 10F = 10ft cable
20F & 30F standards
- 06A = 600mA output
12A = 1200mA output
25A = 2500mA output
- RP1 = Ramp up only
RP2 = Ramp up/down

Dimensions



Application Examples



www.hctcontrols.com

High Country Tek, Inc.

208 Gold Flat Court
Nevada City, CA, 95959
Tel: (1) 530 265 3236
Fax: (1) 530 265 3275



High Country Tek, Inc.

Open-loop Saver Valve Controller MVP-SVR

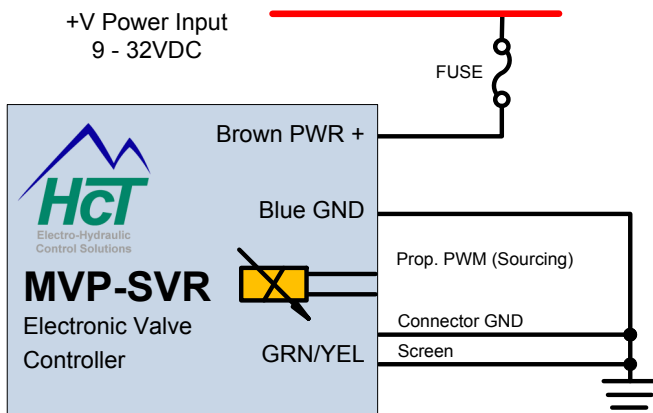
Electronic Controller Solutions for Mobile, Industrial & Marine Applications

Product Feature Overview

- Permanently sealed, standard DIN 43650 Form A connector body with pre-wired 18AWG PVC cable
- All input and output limits are independently adjustable
- Multiple modes for open loop, closed loop and inverted
- Single coil, programmable enable input
- Output short circuit protection and open circuit alert
- Diagnostic LED's with system "status" blink code indication
- PC based Graphical User Interface (GUI) for system configuration
- Infrared HCT Hand Held Interface for system configuration



Basic Connection Diagram

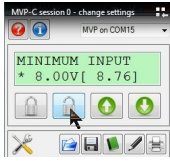


MVP-SVR Wiring	
Terminal	Function
Brown	PWR
Blue	PWR GND
GRN/YEL	Connector GND

Controller Specification Overview

Housing Type	HCT custom DIN enclosure
Power Supp. Voltage	9 to 32VDC (<i>Absolute Maximum</i>)
Current Consumption	Load current + 20mA Quiescent (<i>Max</i>)
Outputs	06A: 600mA max 12A: 1.2A max 25A: 2.5A max
Module Connector	DIN 43650 Form A connector body
Communication	Infra-red Communication
Housing Material	33% glass reinforced, heat stabilized, black polyamide 66
Temperature Range	-40 to +85°C (<i>Operational</i>) -60 to +90°C (<i>Storage</i>)
NEMA/IP Rating	NEMA 4 / IP67

Accessories



Graphical User Interface

PC set-up software
Part #: CD-SAM



Comm. Cable

Infrared Hand Held Interface for Device
Part #: CBL-IRA



Comm. Cable

Infrared Hand Held Interface for PC
Part #: CBL-IRMU

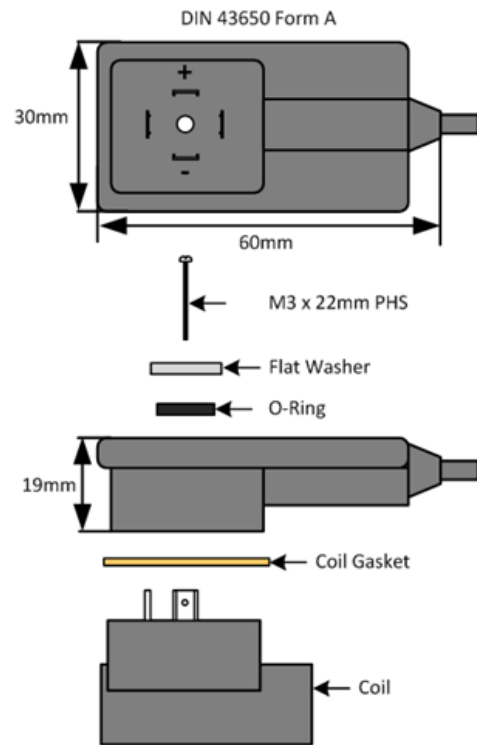
Order Information

Dimensions

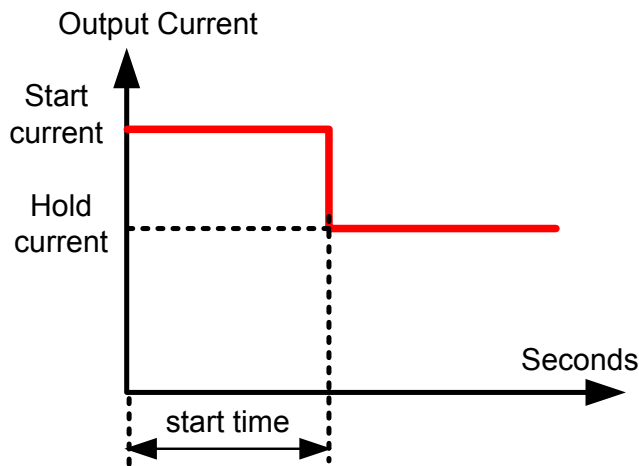
MVP-SVR-06A-10F

10F = 10ft cable
20F & 30F standards

06A = 600mA output
25A = 2500mA output



Application Examples



MVP-SVR



www.hctcontrols.com

High Country Tek, Inc.

208 Gold Flat Court
Nevada City, CA, 95959
Tel: (1) 530 265 3236
Fax: (1) 530 265 3275