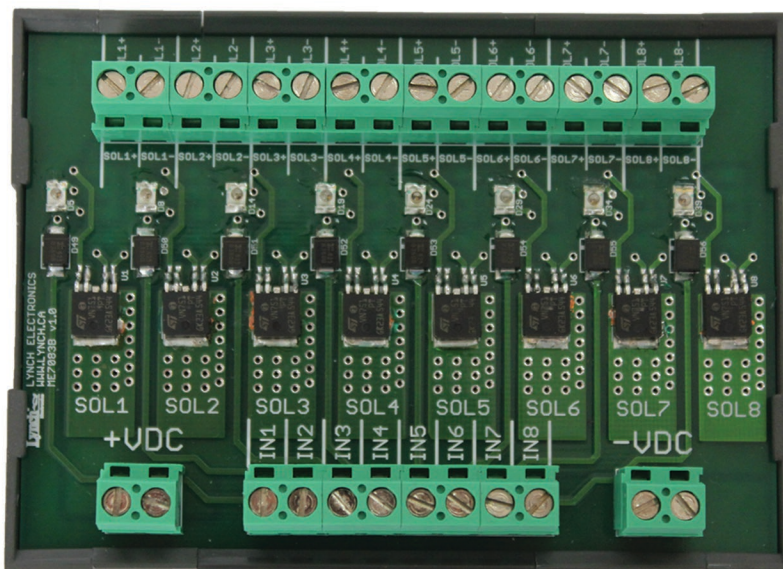


ME 7083 DIN Rail 8X Power Switch

AS9100C & ISO 9001:2008 Certified

Function

The Lynch DIN Rail 8X Power Switch controls up to 8 coils by low-current voltage command, providing consistent valve response times and reduced de-energizing times when compared to switching relays.



Features and Benefits

- ▶ Consistent Valve Response Time.
- ▶ Reverse Polarity Protected.
- ▶ Short Circuit Protected.
- ▶ LED indicator for ON operation.
- ▶ Din Rail Mount.

Specifications

Rated Output Current:	2.5 A
Operating Voltage:	15-36 VDC
Input Signal:	13-36 VDC (must not be higher than the supply voltage)
Input Impedance:	5 kOhm
Overvoltage Protection:	45 VDC

Several Forms Available



Note: Customization of functionality and enclosure type are available on request.

Contact Us For More Information

Local & International
P 1 (905) 363-2400
F 1 (905) 363-1191

Toll Free
P 1 (888) 626-4365
F 1 (800) 263-5807

Online
www.Lynch.ca
sales@lynch.ca

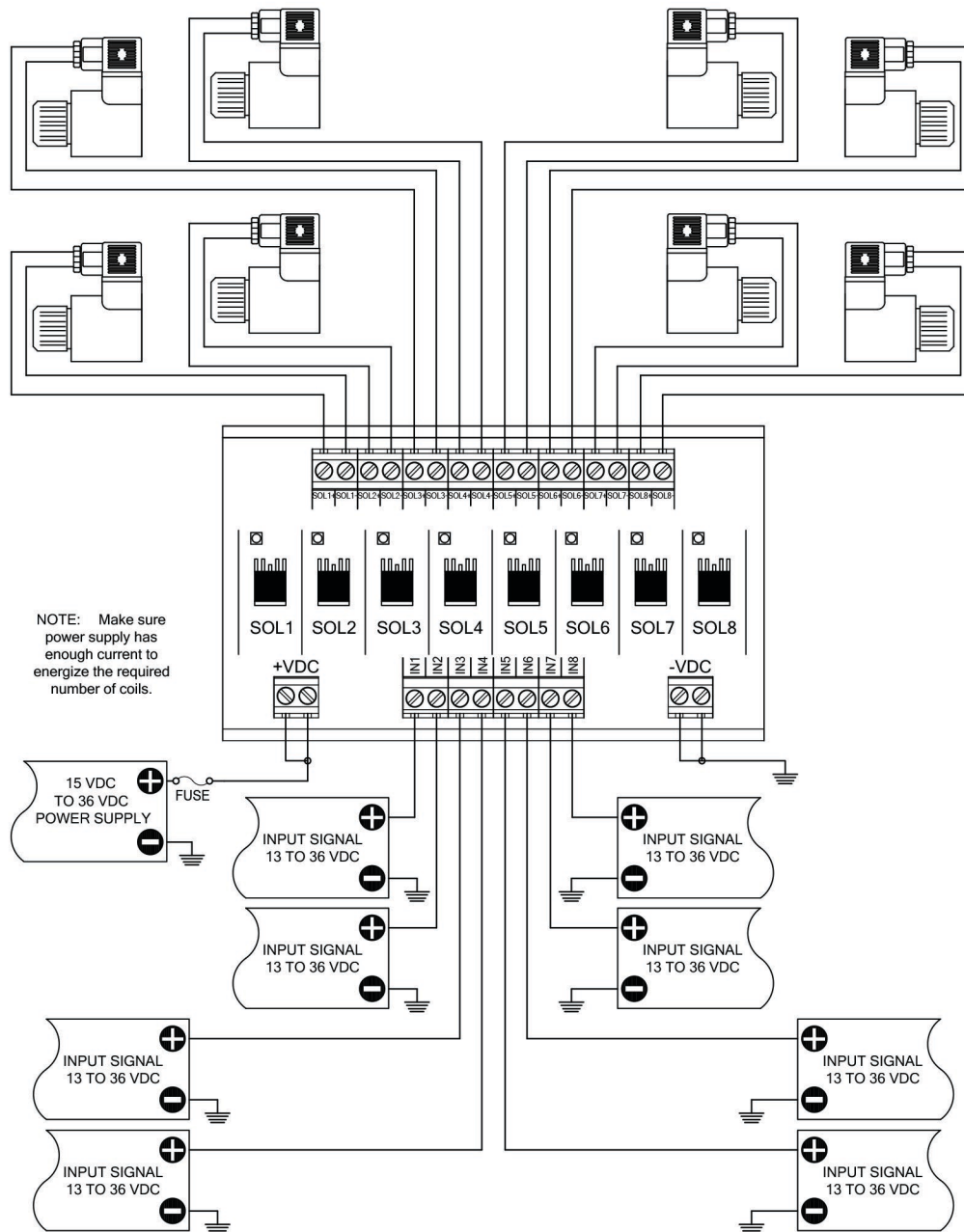
Canada
1799 Argentia Road
Mississauga, Ont.
L5N 3A2

USA
3790 Commerce Court
Suite 500, North
Tonawanda, NY, 14120

ME 7083 DIN Rail 8X Power Switch

AS9100C & ISO 9001:2008 Certified

Wiring Diagram



Contact Us For More Information

Local & International
P 1 (905) 363-2400
F 1 (905) 363-1191

Toll Free
P 1 (888) 626-4365
F 1 (800) 263-5807

Online
www.Lynch.ca
sales@lynch.ca

Canada
1799 Argentia Road
Mississauga, Ont.
L5N 3A2

USA
3790 Commerce Court
Suite 500, North
Tonawanda, NY, 14120