

ME 7075

DIN Rail Dual Power Switch

AS9100C & ISO 9001:2008 Certified

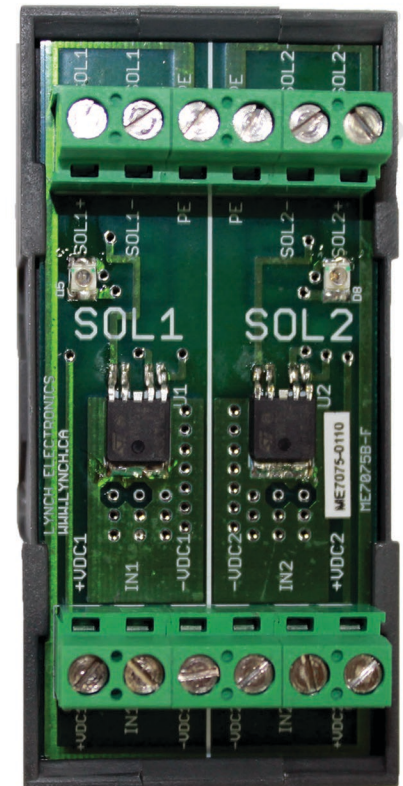
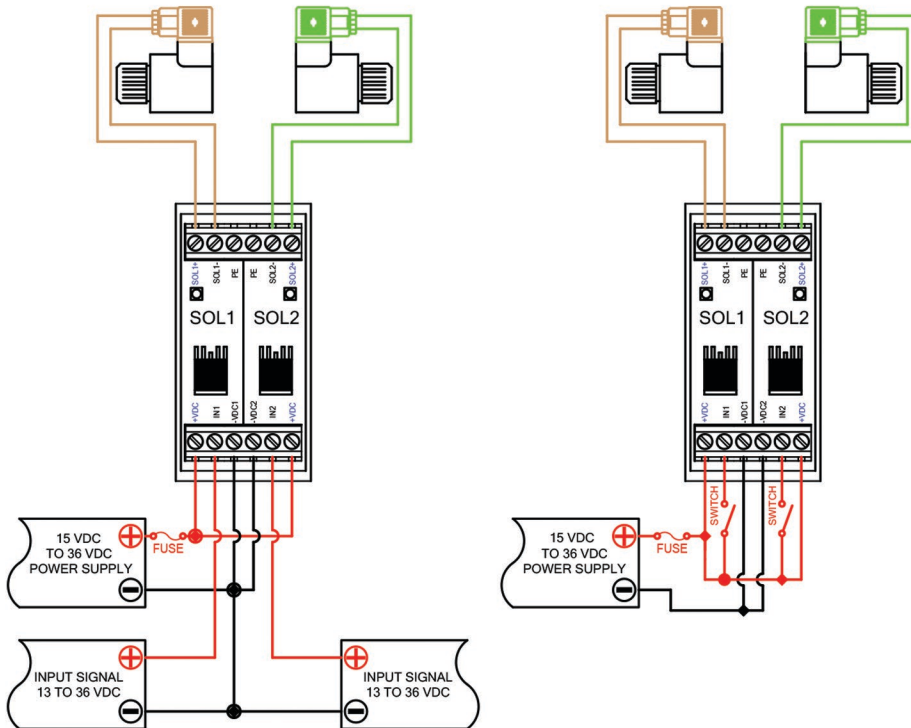
Function

The Lynch DIN Rail Dual Power Switch controls a coil by low-current voltage command, providing consistent valve response times, and reduced de-energizing times when compared to switching relays.

Features and Benefits

- ▶ Consistent Valve Response Time.
- ▶ Reverse Polarity Protected.
- ▶ Short Circuit Protected.
- ▶ LED indicator for ON operation.
- ▶ Din Rail Mount.

Wiring Diagram



Specifications

- ▶ Rated Output Current: 2.5 A
- ▶ Operating Voltage: 15-36 VDC
- ▶ Input Signal: 5.5-36 VDC (must not be higher than the supply voltage)
- ▶ Input Impedance: 5 kOhm
- ▶ Overvoltage Protection: 45 VDC

Contact Us For More Information

Local & International
P 1 (905) 363-2400
F 1 (905) 363-1191

Toll Free
P 1 (888) 626-4365
F 1 (800) 263-5807

Online
www.Lynch.ca
sales@lynch.ca

Canada
1799 Argentia Road
Mississauga, Ont.
L5N 3A2

USA
3790 Commerce Court
Suite 500, North
Tonawanda, NY, 14120